



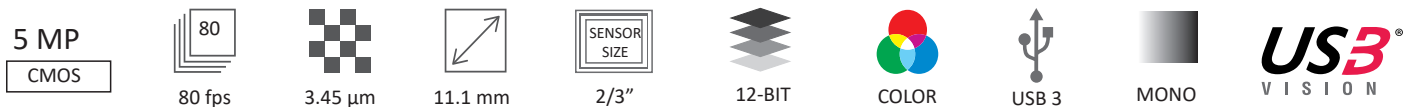
M5D-CYL

CMOS | SONY IMX250 | GLOBAL SHUTTER

Ideal for use in any laboratory or industrial setting, Pixelink cameras let you capture high-quality images with your existing microscope equipment. We will work with you to choose and integrate the optimal USB 3.0 camera for your microscopy project. Our microscope cameras and associated software are designed to offer consistent, superior quality image acquisition and performance.



KEY FEATURES



TYPICAL APPLICATIONS

- Live Cell Imaging
- Microbiology
- Cell Analysis
- Vision Correction
- Packaging
- Measurements
- Inspection
- Paint Analysis
- Dirt Analysis



1.833.247.1211 (North America)
+1.613.247.1211 (International)

www.pixelink.com

SENSOR

Sensor	Sony IMX250
Type	CMOS Global Shutter
Resolution	5.01 MP (2448 x 2048)
Pixel Pitch	3.45µm x 3.45µm
Active Area	11.1 mm diagonal

PERFORMANCE SPECIFICATIONS

FPN	< 0.03% of signal
PRNU	< 0.4% of signal
Dynamic Range	70 dB
Bit Depth	8-bit and 12-bit
Color Data Formats	Bayer 8, Bayer 12 Packed, Bayer 16 and YUV422
Mono Data Formats	Mono 8, Mono 12 Packed & Mono 16

FRAME RATES

Resolution	Free Running
2448 x 2048	79.8 fps
1280 x 1024	158.9 fps
640 x 480	325.8 fps

* Frame rate will vary based on host system and configuration.

INTERFACES

Interface Data Rate	USB 3.0 Micro-B 5Gbps
Trigger Mode	Software

MECHANICALS

Dimensions (mm)	80.88 x Ø54.01 (without lens mount)
Weight (g)	218.5 (without optics)
Mounting	C-Mount

ENVIRONMENTAL & REGULATORY

Compliance	FCC, CE & RoHS
Operating Temperature	0°C to 50°C
Storage Temperature	-45°C to 85°C

SOFTWARE

Pixelink Capture	Control & operate multi-camera
Pixelink SDK	Software Development Kit
Pixelink µScope	Acquisition, analysis & reporting
3rd Party U3V Vision Applications	µScope Acquisition, analysis and reporting

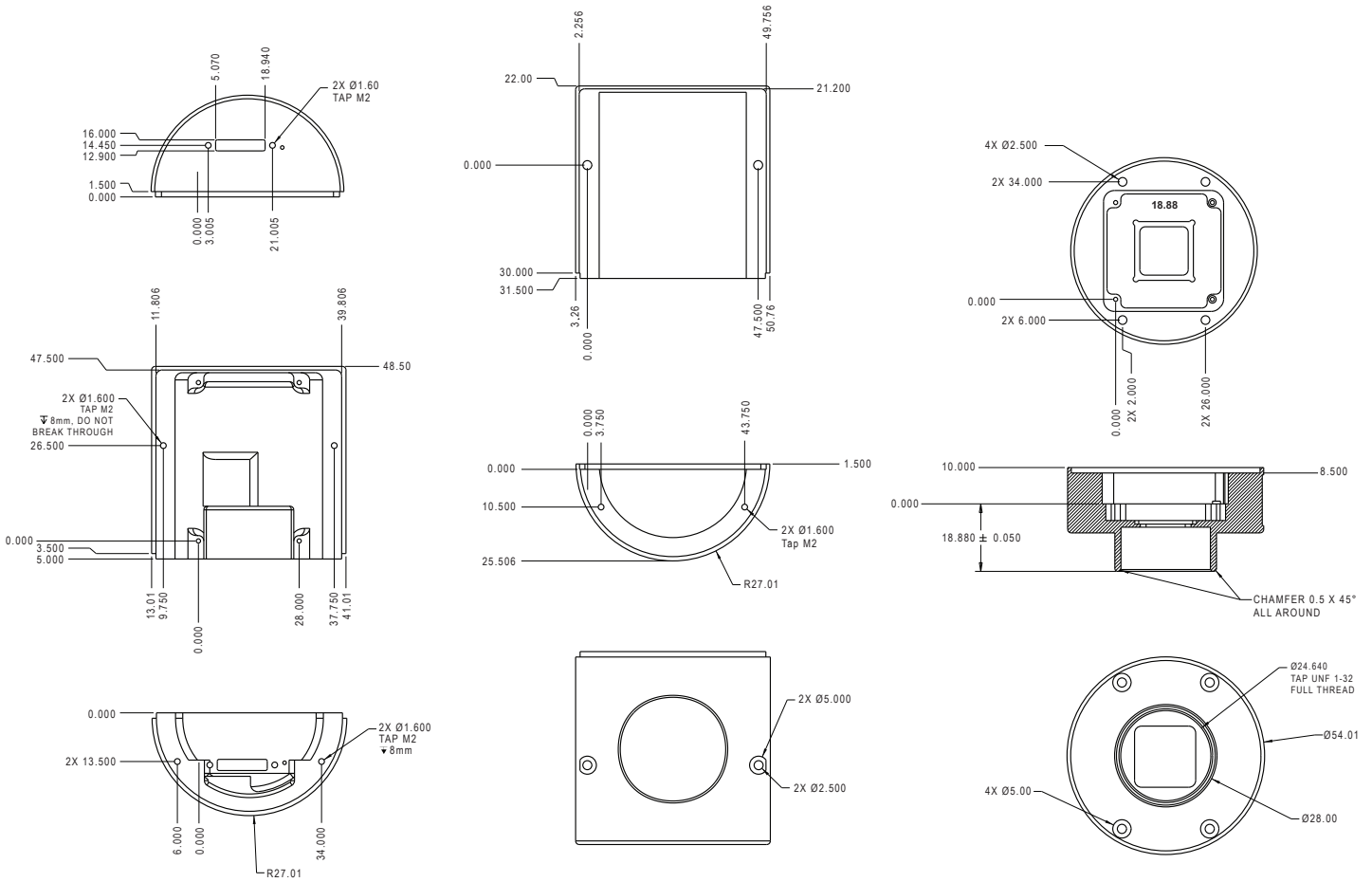
COMPUTER & OPERATING SYSTEM (minimum requirements)

	Windows	Linux x86	Linux ArmV7	Linux ArmV8
Processor	Intel i5	Intel i5	Arm 7 (32 bit)	Arm8 (64 bit)
Memory	4GB recommended	4GB recommended	2GB	2GB
Hard Drive	150 MB	150 MB	50 MB	50 MB
Operating System	Windows 7/8/10	Ubuntu 14.04 16.04	Ubuntu 14.04 16.04	Ubuntu 14.04 16.04

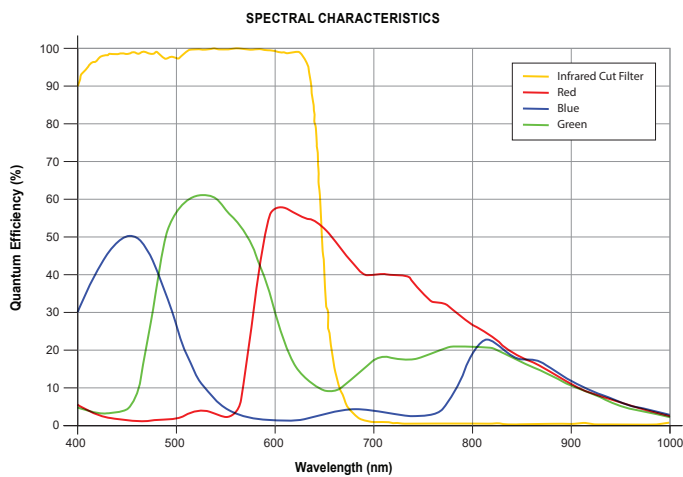
POWER REQUIREMENTS

Voltage Required	5V DC (from USB connector)
------------------	----------------------------

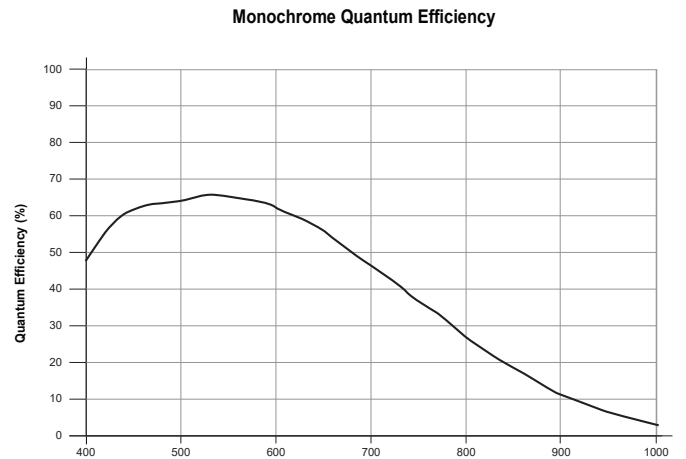
Mechanical Drawing



Responsivity Curve - Color



Responsivity Curve - Color



PIXELINK CAPTURE

Pixelink μ Scope is a software tool developed for the Microscopy marketplace. It gives users the ability to quickly and easily capture, measure and enhance images. In addition to this it can also correlate image data effectively and output data in a format that can be further analysed by other software packages.

Pixelink μ Scope Essentials (ES) software is an easy-to-use robust image capture tool optimized for productivity. Pixelink μ Scope Standard (SE) Software has added features, making it a highly productive image capture tool for microscope. Pixelink μ Scope Pro (PRO) Software is for users needing more advanced tools for their microscopy requirements. This feature-rich applications includes tools such as z-axis, extended focus imaging, shading correction, and reflected light subtraction.

PIXELINK CAPTURE

Pixelink Capture is powerful multi-camera software application designed to configure “n” number of cameras and stream “n” number of cameras simultaneously in real-time high-quality video viewed in a multi-window environment. It offers options for complex image enhancements such as exposure control and filtering, in addition to multi-camera application testing and configuration.

Pixelink Capture features allows you to measure supporting point, line, circle, rectangle, polyline and polygon measurements while determining pixel location. The user can review and adjust data before exporting the findings to an Excel spreadsheet for further analysis.

Pixelink Capture also has integrated lens control (zoom & focus) for Navitar motorized lenses and accurate autofocus options for Navitar motorized fine focus mechanisms.

PIXELINK SDK

Providing full control of all camera functions, the Pixelink Software Development Kit (SDK) is the software package of choice for developers and system integrators who are integrating Pixelink cameras into their applications. The Pixelink SDK provides access to the full Pixelink Application Programming Interface (API) and provides sample applications, wrappers for many 3rd party controls, such as LabVIEW, along with full documentation.

The Pixelink SDK is compatible with Microsoft Windows and popular Linux platforms. When using the Pixelink SDK, developers can integrate Pixelink cameras into their applications with ease.

AVAILABLE CONFIGURATIONS

M5DC-CYL
 M5DC-KIT-CYL
 M5DC-SE-CYL
 M5DC-PRO-CYL
 M5DM-CYL
 M5DM-KIT-CYL
 M5DM-SE-CYL
 M5DM-PRO-CYL

INCLUDED SOFTWARE

KIT= μ Scope Essentials
 SE= μ Scope Standard
 PRO= μ Scope Professional

HOUSING

CYL = Cylindrical Case